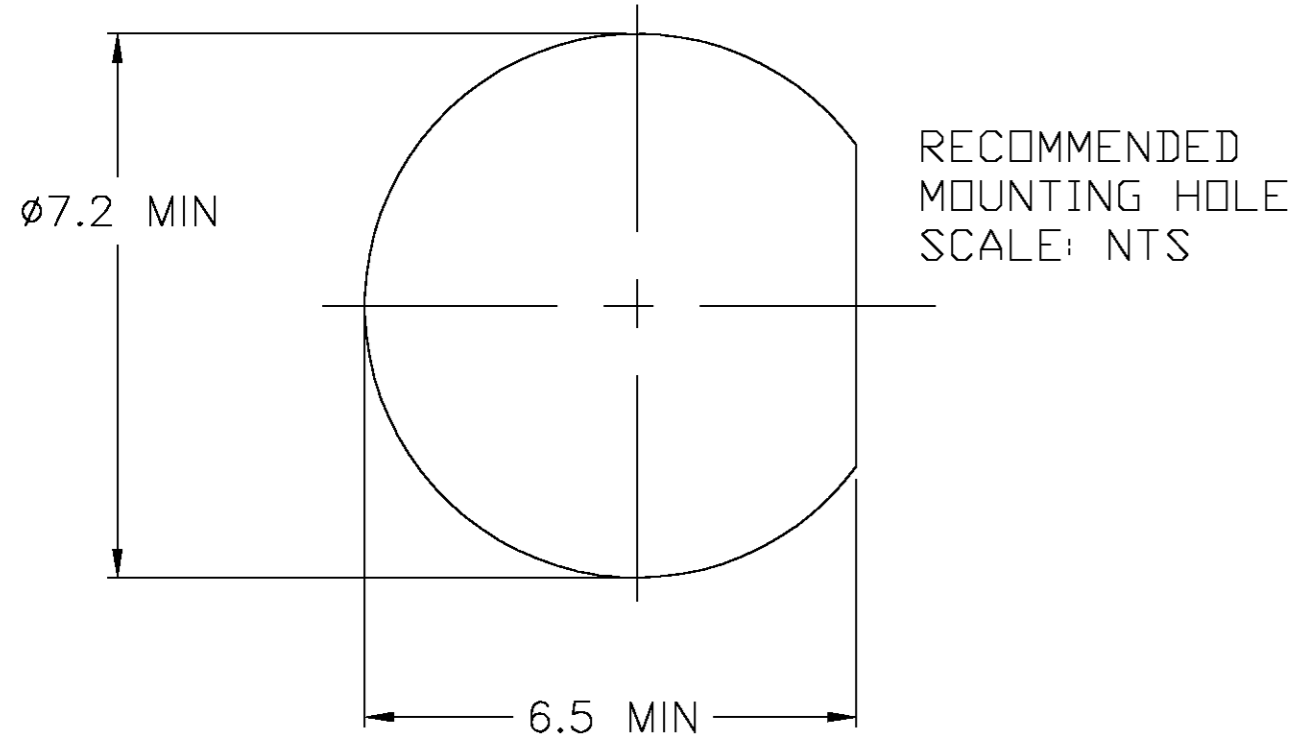
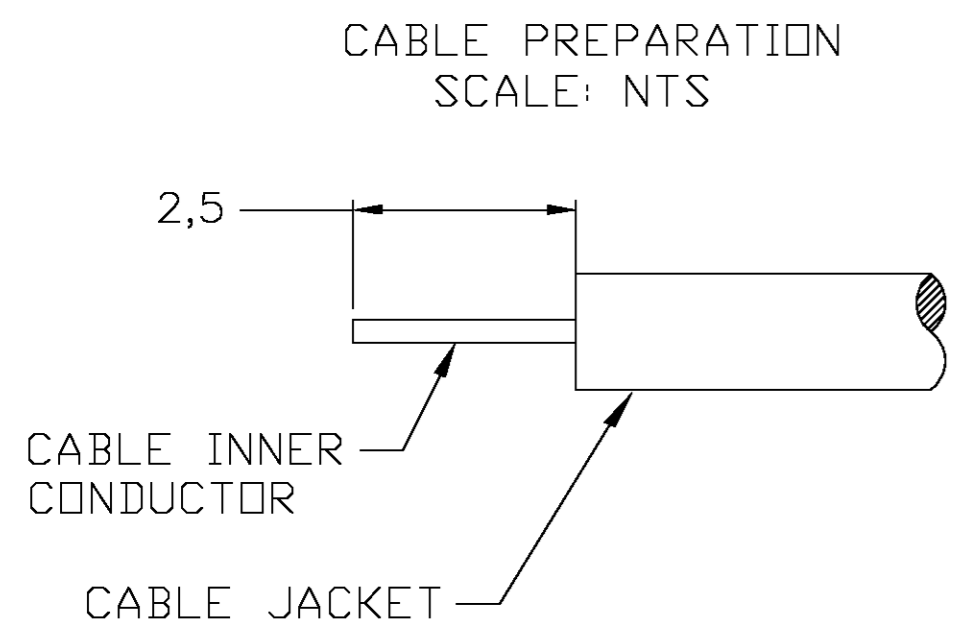
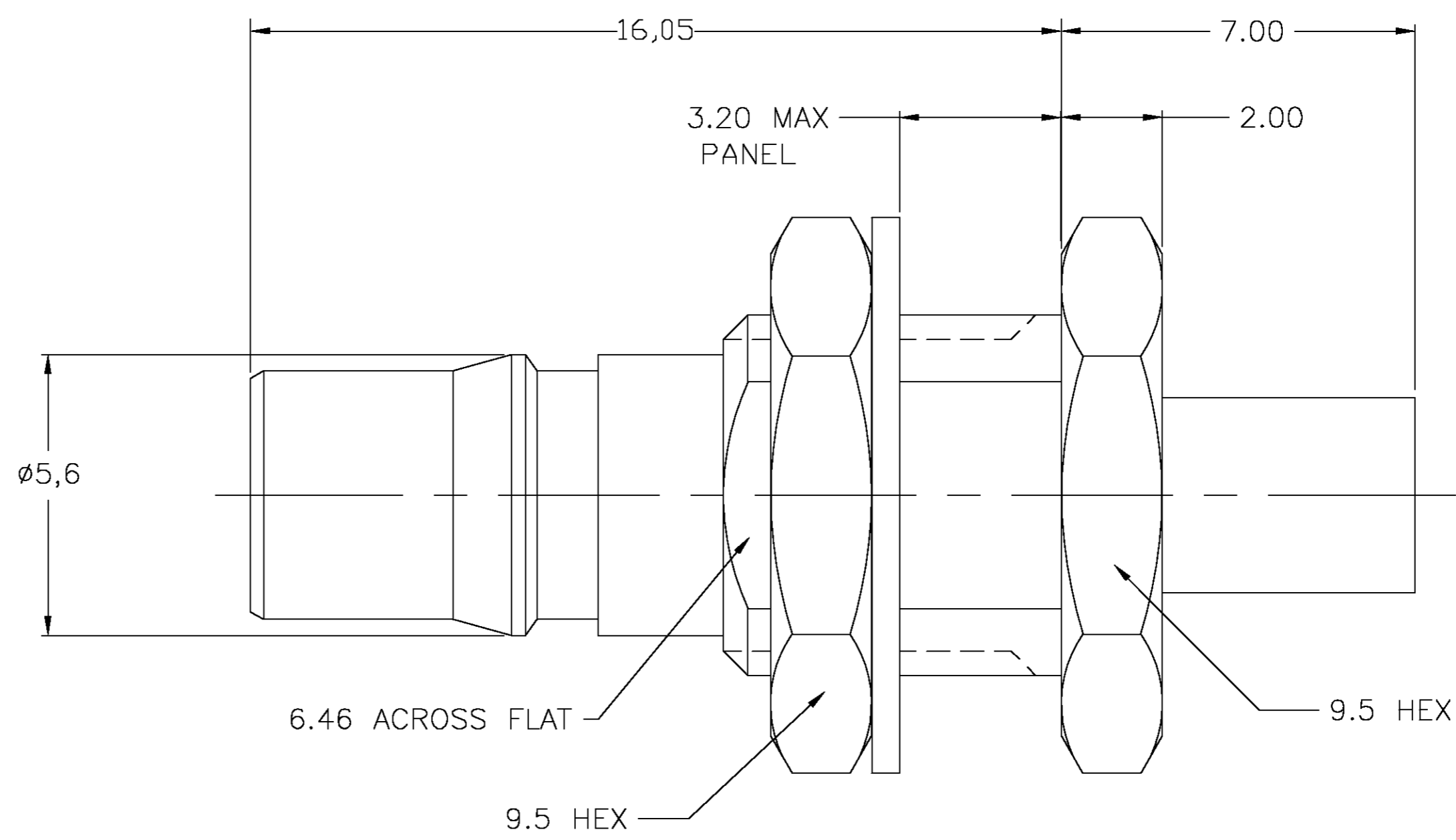


THIS DRAWING IS UNPUBLISHED. RELEASED FOR PUBLICATION
 © COPYRIGHT BY TYCO ELECTRONICS CORPORATION. ALL RIGHTS RESERVED.

LOC		DIST		REVISIONS			
HC	00	P	LTR	DESCRIPTION	DATE	DWN	APVD
		0		RELEASE PER 0514-0108-04	3/22/04	-	DCam

- NOTES:
- DESIGNED FOR USE WITH .141 SEMI-RIGID (RG402/U) AND CONFORMABLE CABLES WITH SIMILAR DIAMETERS
 - ASSEMBLE TO CABLE USING IS 408-8905



CENTER CONTACT	BERYLLIUM COPPER	GOLD
HOUSING NUT	BRASS	GOLD
WASHER	BRONZE	GOLD
DIELECTRIC	PTFE	N/A
COMPONENT	MATERIAL	FINISH

8-1403077-1	5-1403080-9	1408411-8	1408461-1	1408349-1
MTG NUT	WASHER	CONTACT	HSG ASSY	PART NO.

THIS DRAWING IS A CONTROLLED DOCUMENT.

DWN	DCam	11Nov2002
CHK	-	-
APVD	DCam	3/5/04
PRODUCT SPEC	-	-
APPLICATION SPEC	-	-
WEIGHT	-	-
CUSTOMER DRAWING	SCALE 10:1	SHEET 1 OF 1 REV 0

tyco Electronics Tyco Electronics Corporation
Norwood, MA 02062

NAME: QMA STRAIGHT CABLE JACK
DIRECT SOLDER ATTACHMENT

SIZE: A2 CAGE CODE: 00779 DRAWING NO: 1408349 RESTRICTED TO: -

1408349